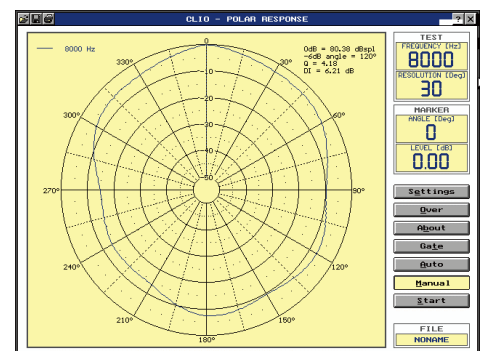
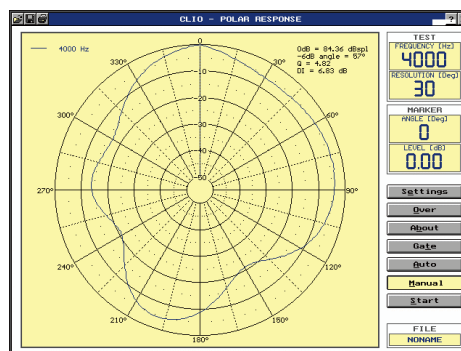
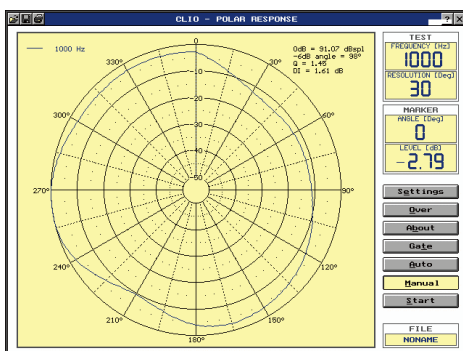
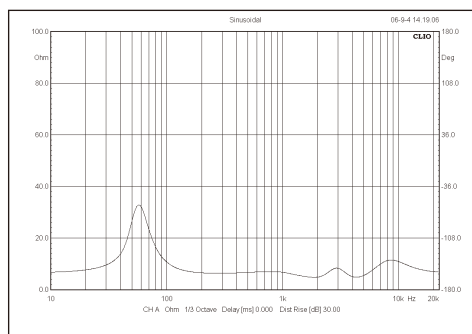
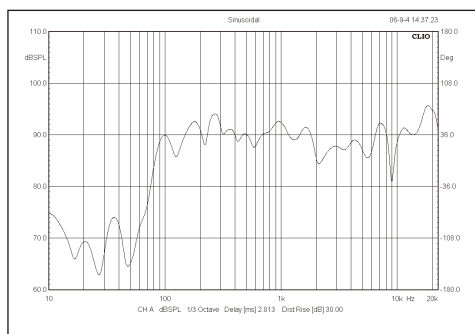
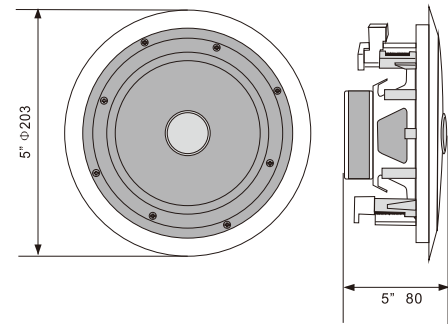


CSL-507 SPECIFICATION


General Specification	
Type	CSL-507
Frequency Response	100-20KHz
Sensitivity(1M/1W)	87±3dB
Max power	40W
Rated power	20W
Impedance	8Ω
Hole for mounting	Φ170mm
Dimension(L*W*H)(mm)	Φ203*80
Physical Specification	
Material(panel)	ABS
Grille	Powder Coated Iron Mesh
Component(L.Speaker)	5" PP Woofer(foam edge)
Component(H.Speaker)	1/2" Mylar(rotatable)
Finished Colour	White
Unit Weight	1Kg
Gross Weight	11.5Kg/8PCS
Packing Dimension	50*44*29cm
Woofer Speaker Specification	
Voice Coil Size	Φ25.9*0.17*2Layer
DC Impedance	7.2 Ω
Former	ASV
Magnet	Ferrite(305g)
	Φ80*Φ32*15(Y30)
Basket	Iron
Cone Material	PP
Spider	Cloth
Net Weight	685g



CSL-507T SPECIFICATION


General Specification	
Type	CSL-507T
Frequency Response	100-20KHz
Sensitivity(1M/1W)	87±3dB
S.P.L.	96dB at 100V/10W
Rated power	20W
Power Taps	20W/10W/5W
Line input	100V
Hole for mounting	Φ170mm
Dimension(L*W*H)(mm)	Φ203*80
Physical Specification	
Material(panel)	ABS
Grille	Powder Coated Iron Mesh
Component(L.Speaker)	5" PP Woofer(foam edge)
Component(H.Speaker)	1/2" Mylar(rotatable)
Finished Colour	White
Unit Weight	1.4Kg
Gross Weight	14.7Kg/8PCS
Packing Dimension	50*44*29cm
Woofer Speaker Specification	
Voice Coil Size	Φ25.9*0.17*2Layer
DC Impedance	7.2 Ω
Former	ASV
Magnet	Ferrite(305g)
	Φ80*Φ32*15(Y30)
Basket	Iron
Cone Material	PP
Spider	Cloth
Net Weight	685g

