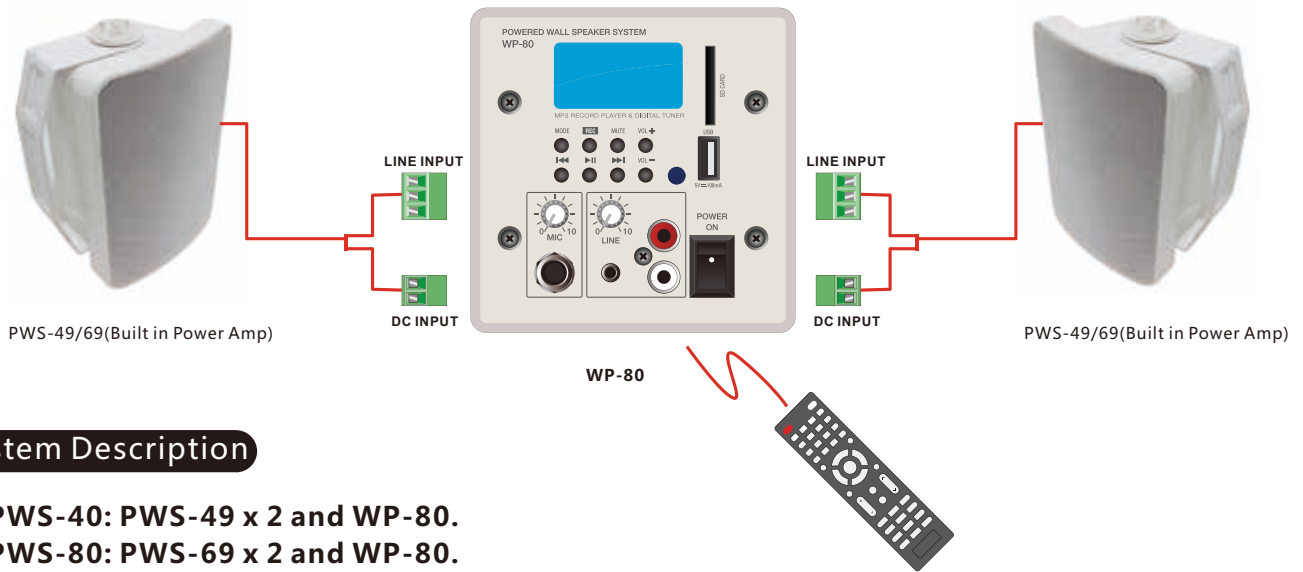


PWS-40 PWS-80 SPECIFICATIONS

System Description

- **PWS-40:** PWS-49 x 2 and WP-80.
- **PWS-80:** PWS-69 x 2 and WP-80.

FEATURES
●Controls

- Media player: Mode, Rec, Mute, VR+, VR-, Play, FF, FR with Remote commender.
- Mic Input Volume.
- Line Input Volume.
- Power ON/OFF.

●Input Connectors for WP-80.

- 1/4" Jack for Mic Input.
- 3.5mm phone Jack and stereo RCA Jack for Line Input.
- SD card and USB memory stick input.
- 2P Euroblock for power supply.
- 3P Euroblock for signal input balanced.

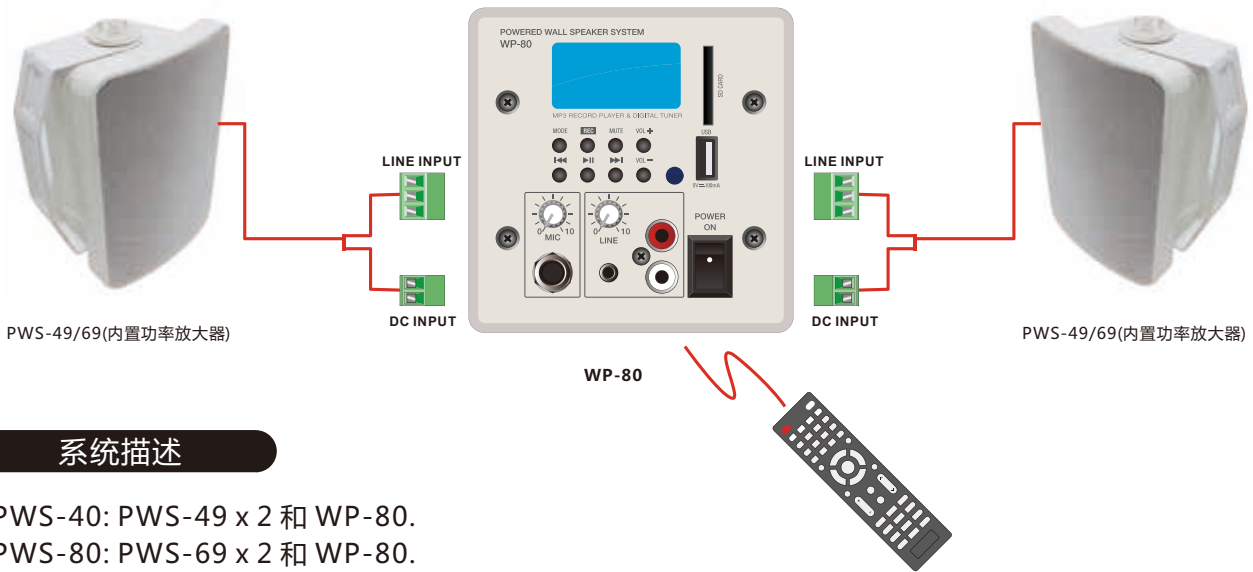
●Input Connectors for PWS-49/PWS-69.

- 2P Euroblock for power supply.
- 3P Euroblock for signal input balanced.

●Indicators: LCD display for Midea player.
SPECIFICATIONS

Model	PWS-40	PWS-80	
Rared Power @ THD 1%	20W x 2	40W x 2	
Frequency Response	45Hz to 20kHz		
THD @1/3 Rated Power	0.1%		
Signal to Noise Rateo	Mic	65dB	
	Line	80dB	
Channel Crosstalk	70dB		
AMP	Class D		
Power Supply	Switching Mode		
Speaker	Reflection Horn		
	4"		6.5"
Power Source	100V-240V, 50/60Hz		
Weight (Net)	N/A		
Dimensions (W x H x D)	N/A		
Model	PWS-49	PWS-69	WP-80
Weight (Net)	2.4kg	4.76kg	0.56 kg
Dimensions (W x H x D)	158 x 238 x 161 mm	214 x 329 x 222 mm	110 x110 x75 mm

PWS-40 PWS-80 规格书



系统描述

- PWS-40: PWS-49 x 2 和 WP-80.
- PWS-80: PWS-69 x 2 和 WP-80.

功能

- 控制面板
 - 媒体播放器：模式, 录音, 静音, 音量增加, 音量减少, 播放, FF, FR, 遥控控制
 - 麦克风输入音量
 - 线路输入音量
 - 开机/关机
- WP-80 的输入连接端口
 - 1/4"麦克风输入端口
 - 3.5mm电话接口和立体声RCA插孔用于线路输入
 - SD卡和USB 插口
 - 电源2位欧式端子座
 - 信号输入平衡3位欧式端子座
- PWS-49/PWS-69 的输入连接端口
 - 电源2位欧式端子座
 - 信号输入平衡3位欧式端子座
- 显示器：用于媒体播放器的LCD显示

技术指标

型号	PWS-40	PWS-80	
额定功率 @ THD 1%	20W x 2	40W x 2	
频率响应	45Hz to 20kHz		
THD @ 1/3 额定功率	0.1%		
信噪比	麦克风	65dB	
	线路	80dB	
频道串扰	70dB		
AMP	Class D		
电源	切换模式		
扬声器	壁挂扬声器		
	4"	6.5"	
电源	100V-240V, 50/60Hz		
净重	N/A		
规格尺寸(W x H x D)	N/A		
型号	PWS-49	PWS-69	WP-80
净重	2.4kg	4.76kg	0.56 kg
规格尺寸(W x H x D)	158 x 238 x 161 mm	214 x 329 x 222 mm	110 x 110 x 75 mm